



The Heart of Industry

IWAKI

IWAKI
Self-priming
Magnetic Drive Pumps

SMX

Main material

GFRPP



Patent

JAPAN / U.S.A. / EU / CHINA / TAIWAN

Solutions for chemical handling applications

Versatile self-priming magnetic drive pump with enhanced durability under abnormal operation



The SMX is a horizontal self-priming magnetic drive pump made from reinforced plastic. Our original self-radiation structure (Patented) enhances resistance to dry running, cavitation, and closed-discharge operation. In addition, the use of standard motors extends the range of application.



SMX-543

SMX-441

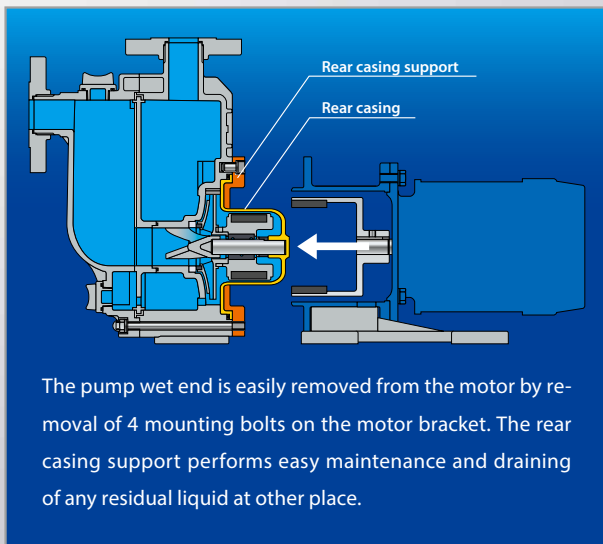
SMX-220

Expanded versatility

The SMX has a modular structure to handle liquids with high specific gravities. Use of standard motors extends the range of liquid application.

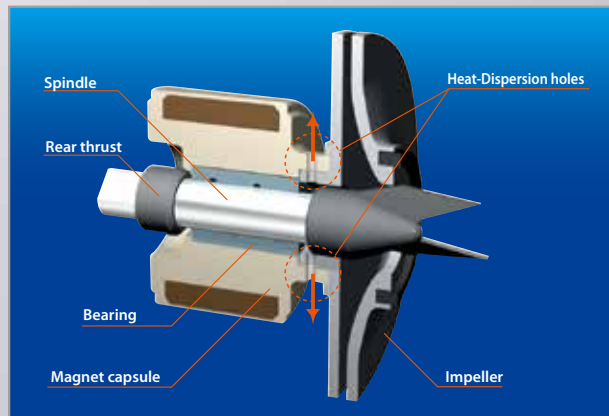
Easy maintenance

The pump wet end can be removed from the motor as a complete assembly without dismantling, thanks to an additional rear casing support. The pump wet end comprises the minimum number of parts for easy maintenance.



Enhanced durability under abnormal operation

Our original self-radiation structure (Patented) efficiently disperses bearing friction heat to protect the pump under abnormal operating conditions. In addition, our non-contact structure prevents contact between rear thrust face and bearing, to eliminate heat buildup during dry running.



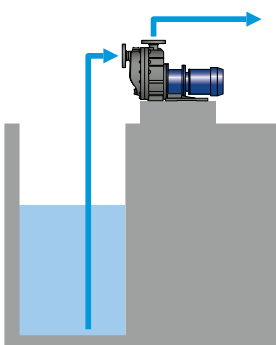
Fast self-priming

The SMX requires no external self-priming chambers or valves. The gas-liquid separation design ensures fast self-priming. An exceptional self-priming duration of up to 4m in only 90 seconds is now possible.

Examples of application

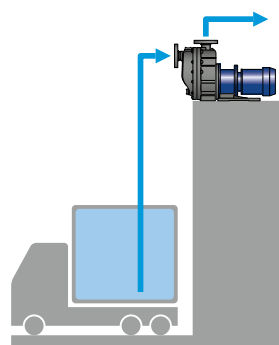
Pumping up from underground tank

- Underground tank at chemical plant.
- Underground tank or pit of waste plant.



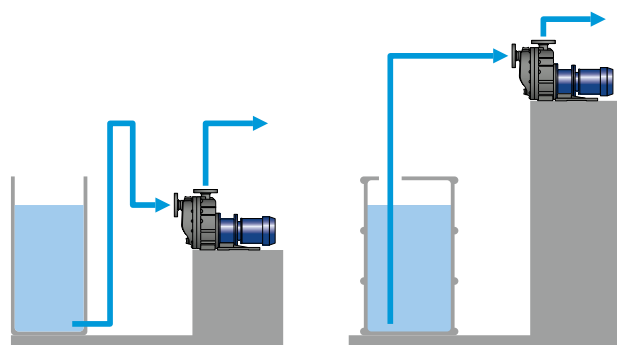
Pumping up and out from top of tank and tanker truck

- Transferring etching and plating chemical from chemical bath.
- Sucking up chemical from truck.
- Pumping up from top of tank.

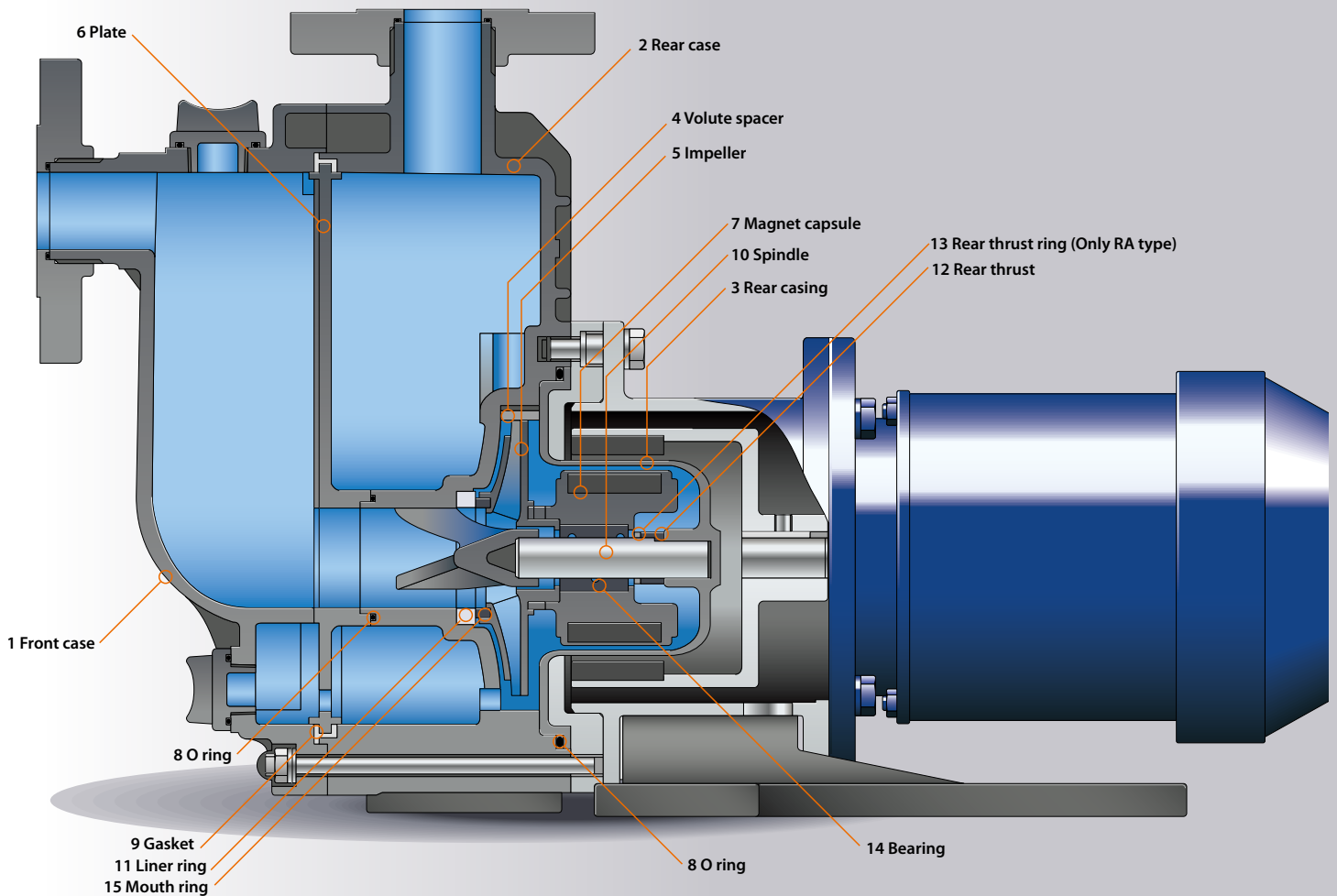


Transferring chemical from tank to tank

- Transferring from main tank to daily tank.
- Refilling chemical from drum to tank.



Reliability and performance are enhanced by our unique design



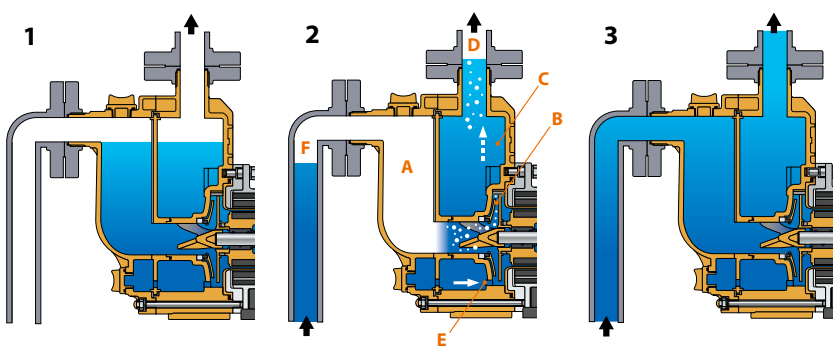
Wet-end materials

| Name of part | Model | | |
|--|-----------------------------|--------------------|-----|
| | CA | RA | KA |
| 1 Front case | | | |
| 2 Rear case | | | |
| 3 Rear casing | | GFRPP | |
| 4 Volute spacer <small>Note1</small> | | | |
| 5 Impeller | | | |
| 6 Plate | | | |
| 7 Magnet capsule | | PP | |
| 8 O ring | | FKM/EPDM | |
| 9 Gasket | | | |
| 10 Spindle | High purity alumina ceramic | | SiC |
| 11 Liner ring | | Alumina ceramic | |
| 12 Rear thrust <small>SMX-22, 44</small> | | CFRPPS | |
| <small>SMX-54</small> | High purity alumina ceramic | | SiC |
| 13 Rear thrust ring <small>Note2</small> | - | Alumina ceramic | - |
| 14 Bearing | Carbon | PTFE (With filler) | SiC |
| 15 Mouth ring | | PTFE (With filler) | |

Note1 : SMX-22□T, 54□T, 54□X do not have a Volute spacer
 Note2 : Exclusive for SMX-22RA, 44RA



Principles of Self-Priming



1 Prime the pump with liquid.

2 On starting, the pump will suck both gas and liquid into its inlet. This mixture moves through front case **A** to the front casing, where it is agitated by the impeller. The mixture is discharged through pump chamber **B** to rear case **C**, where gas and liquid separation then occurs. Gas is bled from the discharge port **D** while some liquid is retained. Liquid in the rear case **C** is fed back through circulation hole **E** to the front casing, where it is again mixed with entrained gas by the impeller. This recirculation & bleeding process continues until gas from the suction side **F** is completely expelled.

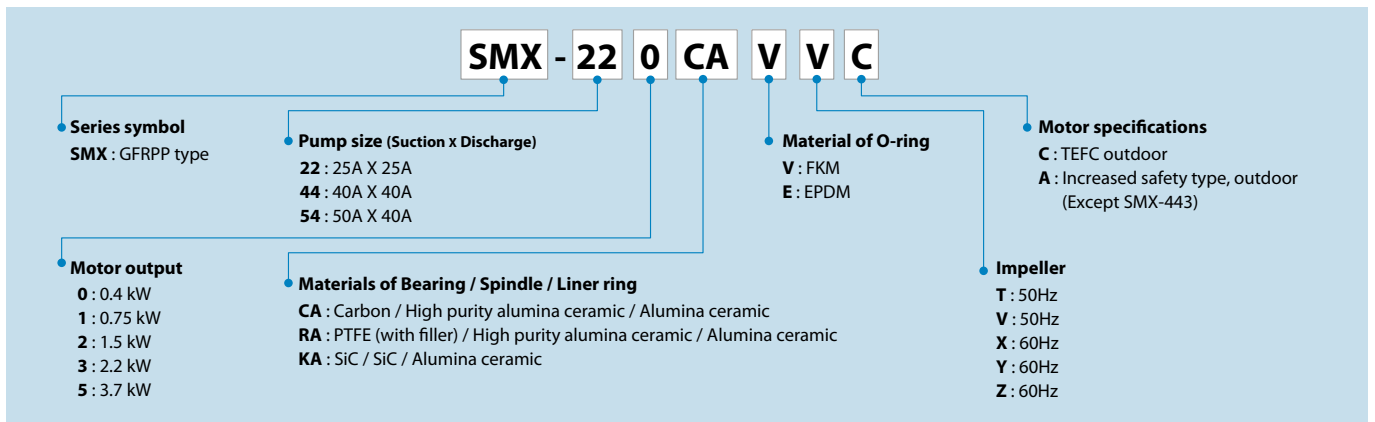
3 Once all gas is expelled, normal centrifugal pump operation is resumed. Sufficient liquid remains in the casing for subsequent self-priming once the pump is stopped.

Specifications

| Model | Connection Suction X Discharge | Impeller | Cycle (Hz) | Min. capacity (L/min) | Standard specification (L/min-m) | Max. capacity (L/min) | Motor (kW 2p) | Resisting pressure limit (MPa) | Mass (kg) | | | |
|---------|-----------------------------------|-----------|---------------|--------------------------|-------------------------------------|--------------------------|------------------|-----------------------------------|--------------|------|------|------|
| SMX-220 | 25A X 25A | V | 50 | 10 | 80 - 8.5 | 90 | 0.4 | 0.28 | 22 | | | |
| | | Y | 60 | | 80 - 8.0 | 90 | | | | | | |
| T | | 50 | 100 - 13.0 | | 105 | 0.75 | 31 | | | | | |
| V | | 50 | 80 - 8.5 | | 140 | | | | | | | |
| X | | 60 | 100 - 13.0 | | 170 | | | | | | | |
| Y | | 60 | 80 - 8.0 | | 135 | | | | | | | |
| SMX-222 | | T | 50 | | 100 - 13.0 | 160 | 1.5 | | 40 | | | |
| | | | X | | 60 | 100 - 13.0 | | | | 170 | | |
| SMX-441 | | 40A X 40A | T | | 50 | 10 | 100 - 14.0 | | 115 | 0.75 | 0.33 | 31.5 |
| | | | Y | | 60 | | 150 - 11.5 | | 200 | | | |
| T | 50 | | 150 - 12.4 | 280 | 1.5 | | 40.5 | | | | | |
| X | 60 | | 200 - 18.0 | 335 | | | | | | | | |
| Y | 60 | | 150 - 11.5 | 290 | | | | | | | | |
| X | 60 | | 200 - 18.0 | 345 | | | | | | | | |
| SMX-443 | X | | 60 | 200 - 18.0 | 345 | | 2.2 | 44.5 | | | | |
| SMX-542 | V | | 50 | 100 - 20.5 | 210 | | 1.5 | 48 | | | | |
| SMX-543 | 50A X 40A | | T | 50 | 20 | | 250 - 18.0 | 440 | 2.2 | 0.43 | | 52 |
| | | | V | 50 | | | 200 - 17.0 | 410 | | | | |
| | | Z | 60 | 250 - 18.0 | | 440 | | | | | | |
| | | T | 50 | 250 - 18.0 | | 440 | | | | | | |
| SMX-545 | | V | 50 | 200 - 17.0 | | 410 | 3.7 | 70 | | | | |
| | | | X | 60 | | 300 - 26.0 | | | 520 | | | |
| | | | Y | 60 | | 300 - 22.3 | | | 500 | | | |
| | | | Z | 60 | | 250 - 18.0 | | | 440 | | | |

• The self-priming height limit noted above refers to a liquid equivalent to fresh water at 20°C. The self-priming height limit varies with the liquid temperature and the type of liquid.
 • Temperature range of handled liquid: 0 to 80°C (The self-priming height limit decreases at high temperatures.)
 • Mass weight includes a outdoor motor.

Pump identification

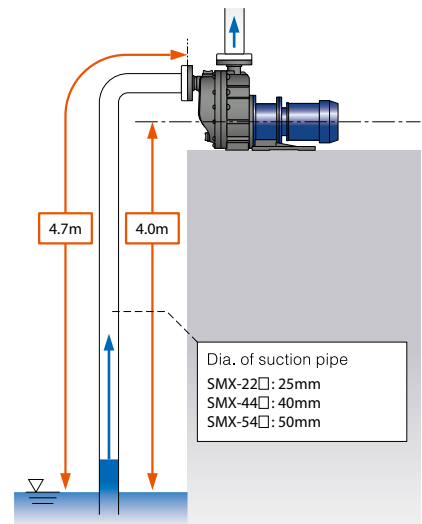


Precautions on the selection of pumps

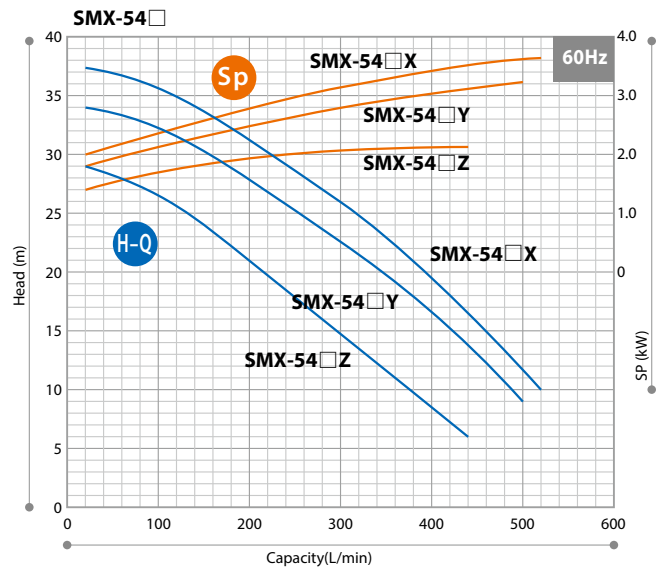
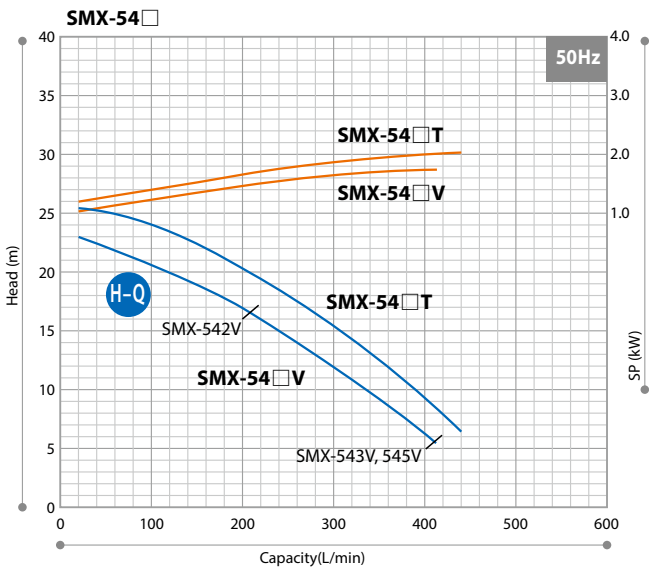
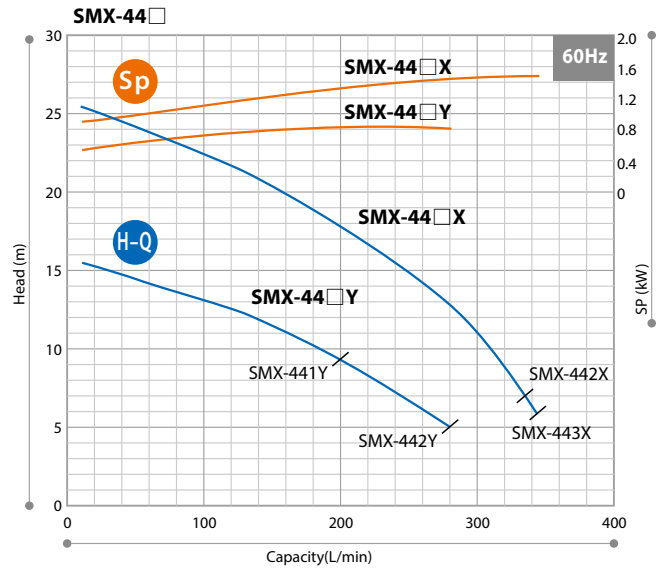
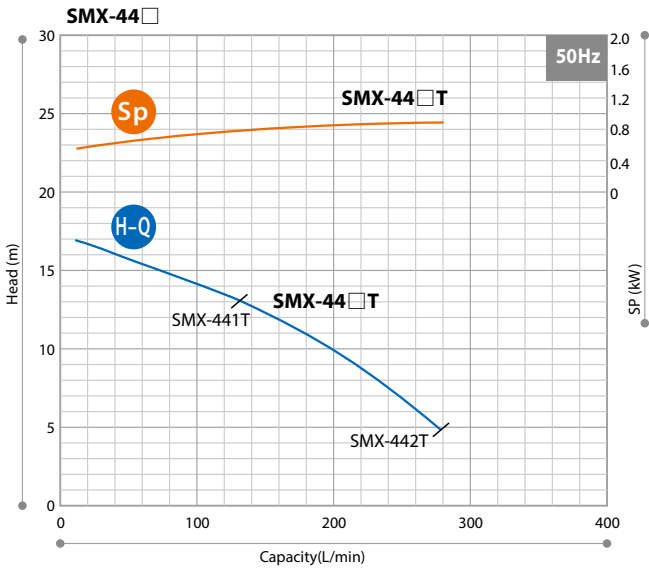
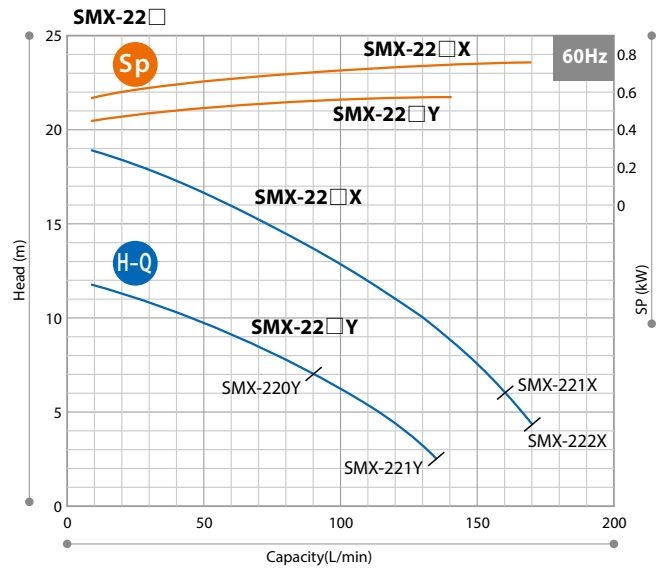
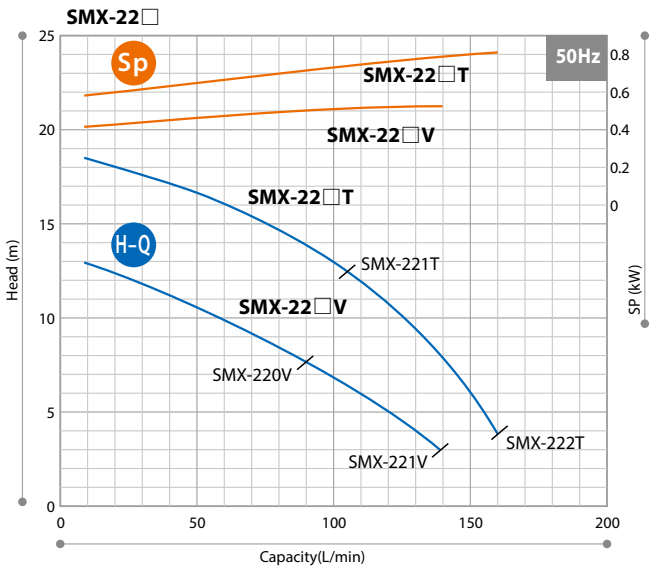
- The performance curves on this catalogue are based on the operation with 20°C clean water in flooded suction. Keep a margin (3% of the curves) when selecting the pump.
- The magnetic pump cannot run continuously with a closed-discharge. Be sure to observe the minimum flow rate.
The minimum flow rate SMX-F22□: 10L/min
SMX-F44□: 10L/min
SMX-F54□: 20L/min
- Select a pump model according to liquid specific gravity. Always keep 10% allowance to motor output.
Pump shaft power $S_p \times$ Specific gravity $\times 1.1$ (margin) \leq Motor output
- The self-priming performance (4m in 90 seconds) is based on the operation with 20°C clean water on the right piping condition. Self-priming performance varies with liquid temperature, characteristics and piping conditions. Obtain a rough guide of the highest possible self-priming height at each liquid specific gravity by the following formula.
The highest possible self-priming height[m] = Self-priming height with clean[m] / Liquid specific gravity

Self-priming considerations

- The diameter of the piping on the suction side should be the same as that of the pumps inlet port,
SMX-22□: 25mm
SMX-44□: 40mm
SMX-54□: 50mm
and the length of the piping should be limited to less than 4.7m. A larger pipe diameter or longer piping could adversely affect the self-priming performance, or could even hinder the self-priming process itself.
- In cases where the liquid level fluctuates, take the height from the lowest liquid level as the maximum self-priming height.
- Always perform priming before first operation, and start the pump only after the pump chamber has been filled with the handled liquid.
- To prevent early deterioration, avoid frequent start/stop of the pump.
- If a foot valve is installed on the suction pipe, pipe resistance may increase so that the pump cannot suck liquid enough.

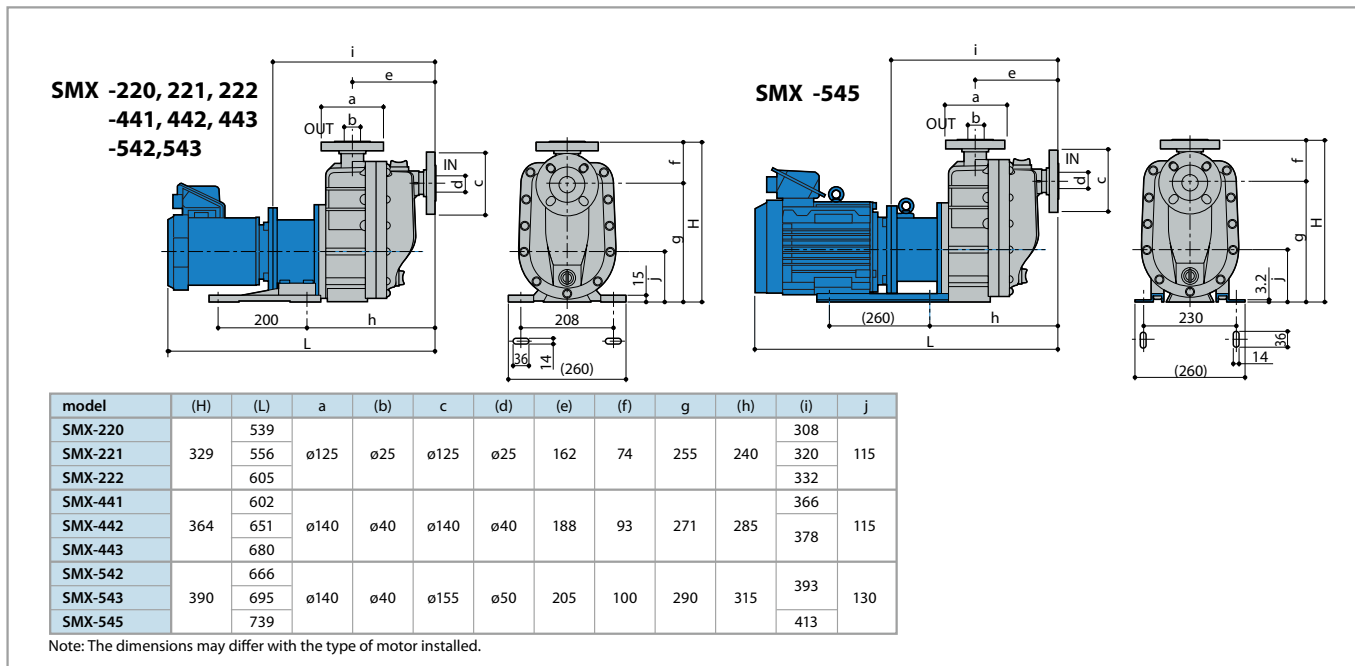


Performance curves



The shaft power curves shown above are calculated by using our standard test motor. Contact us for detail.

Dimensions in mm



Optional accessories

Iwaki pump protector DRN series

Detects unusual pump operating conditions including dry-running and overload

The DRN model protects equipment (including pumps) from damage!
 Minimizes production downtime.
 Identifies possible causes of alarms so they can be investigated and addressed.



- Multiple Input: Two analog, one digital, one temperature input and one current input
- Easy operation: Equipped with EASY setup mode to remember the operation status and set the lower/upper limit values, as well as AUTO setup mode
- Bar graph: Visible indication of current operating status
- Logging capability: Data log feature for preventative maintenance scheduling
- Communication: RS485 external communication capability

Specifications

| Model | DRN-01 | DRN-02 |
|-----------------------|-------------------------|------------|
| Amperometric range | 0.5-30.00A | 5.0-200.0A |
| Unit's source voltage | AC100-240V 50/60Hz 10VA | |
| Operating temperature | 0-40°C | |
| Operating humidity | 35-85%RH | |

IWAKI CO., LTD. 6-6 Kanda-Sudacho 2-chome Chiyoda-ku Tokyo 101-8558 Japan TEL: (81)3 3254 2935 FAX: 3 3252 8892

IWAKI has global net work. Please find your distributor location at www.iwakupumps.jp

European office : IWAKI Europe GmbH
 Germany : IWAKI Europe GmbH
 Holland : IWAKI Europe GmbH (Netherlands Branch)
 Italy : IWAKI Europe GmbH (Italy Branch)
 Spain : IWAKI Europe GmbH (Spain Branch)
 Belgium : IWAKI Belgium N.V.
 Denmark : IWAKI Nordic A/S
 Finland : IWAKI Suomi Oy
 France : IWAKI France S.A.
 Norway : IWAKI Norge AS
 Sweden : IWAKI Sverige AB
 U.K. : IWAKI Pumps (UK) Ltd.

TEL: (49)2154 9254 0 FAX: 2154 9254 48
 TEL: (49)2154 9254 50 FAX: 2154 9254 55
 TEL: (31)74 2420011 FAX: (49)2154 925448
 TEL: (39)0444 371115 FAX: 0444 335350
 TEL: (34)93 37 70 198 FAX: 93 47 40 991
 TEL: (45)48 24 2345 FAX: 48 24 2346
 TEL: (358)9 2745810 FAX: 9 2742715
 TEL: (33)1 69 63 33 70 FAX: 1 64 49 92 73
 TEL: (47)23 38 49 00 FAX: 23 38 49 01
 TEL: (46)8 511 72900 FAX: 8 511 72922
 TEL: (44)1743 231363 FAX: 1743 366507

U.S.A. : IWAKI America Inc.
 Argentina : IWAKI America Inc. (Argentina Branch)
 Brasil : IWAKI Do Brasil Comercio De Bombas Hidraulicas LTDA.
 Singapore : IWAKI Singapore Pte Ltd.
 Indonesia : IWAKI Singapore (Indonesia Office)
 Malaysia : IWAKIm Sdn. Bhd.
 Australia : IWAKI Pumps Australia Pty Ltd.
 Hong Kong : IWAKI Pumps Co., Ltd.
 China : GFTZ IWAKI Engineering & Trading Co., Ltd.
 : IWAKI Pumps (Shanghai) Co., Ltd.
 Korea : IWAKI Korea Co., Ltd.
 Taiwan : IWAKI Pumps Taiwan Co., Ltd.
 Thailand : IWAKI (Thailand) Co., Ltd.

TEL: (1)508 429 1440 FAX: 508 429 1386
 TEL: (54)11 4745 4116
 TEL: (55)19 3244 5900 FAX: 19 3244 5900
 TEL: (65)6316 2028 FAX: 6316 3221
 TEL: (62)21 6906606 FAX: 21 6906612
 TEL: (60)3 7803 8807 FAX: 3 7803 4800
 TEL: (61)2 9899 2411 FAX: 2 9899 2421
 TEL: (852)2607 1168 FAX: 2607 1000
 TEL: (86)20 84350603 FAX: 20 84359181
 TEL: (86)21 6272 7502 FAX: 21 6272 6929
 TEL: (82)2 2630 4800 FAX: 2 2630 4801
 TEL: (886)2 8227 6900 FAX: 2 8227 6818
 TEL: (66)2 322 2471 FAX: 2 322 2477

Caution for safety use: Before use of pump, read instruction manual carefully to use the product correctly.

Legal attention related to export.

Our products and/or parts of products fall in the category of goods contained in control list of international regime for export control. Please be reminded that export license could be required when products are exported due to export control regulations of countries.

The posting and copying from this catalogue without permission is not accepted firmly.